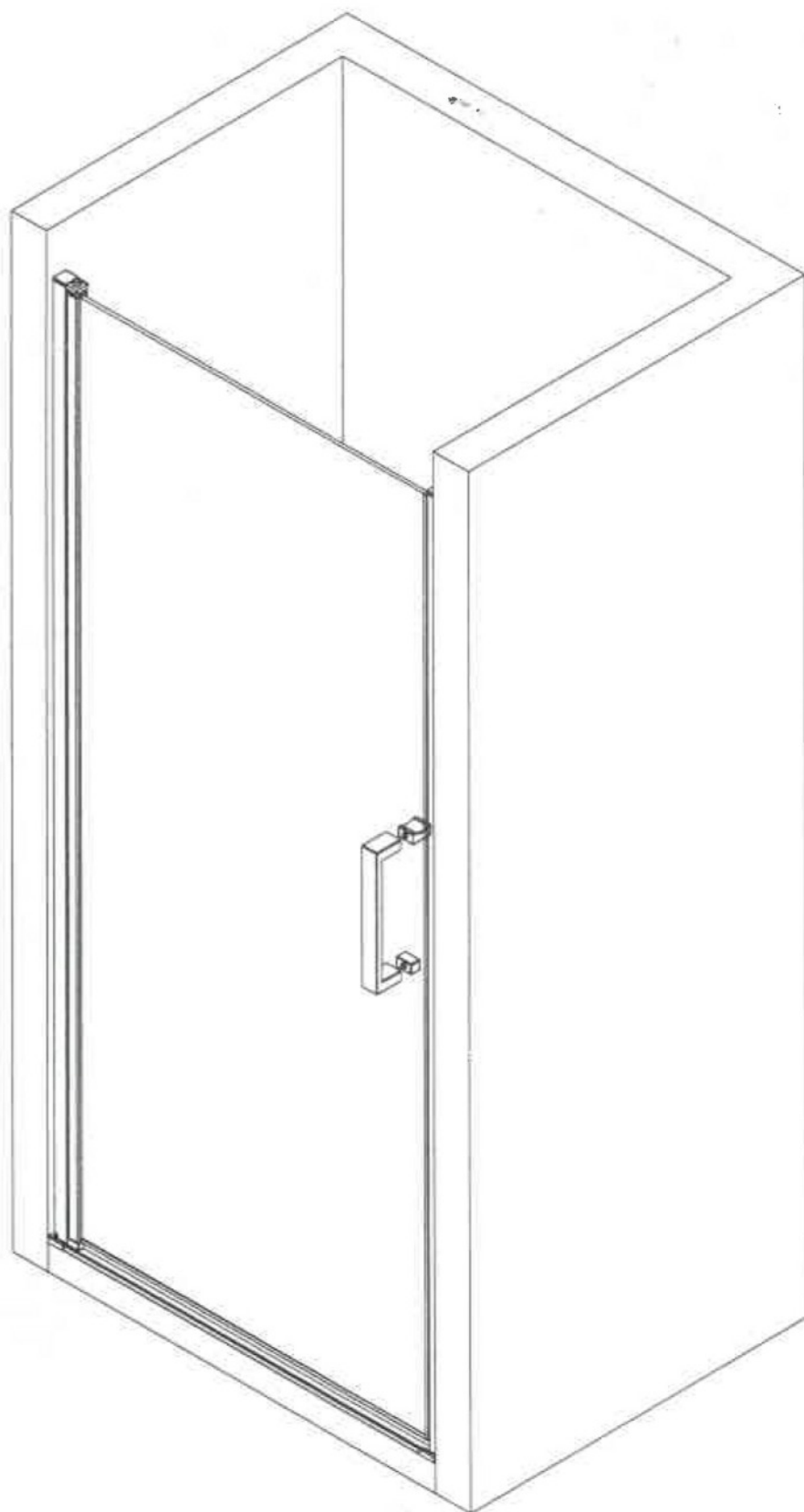
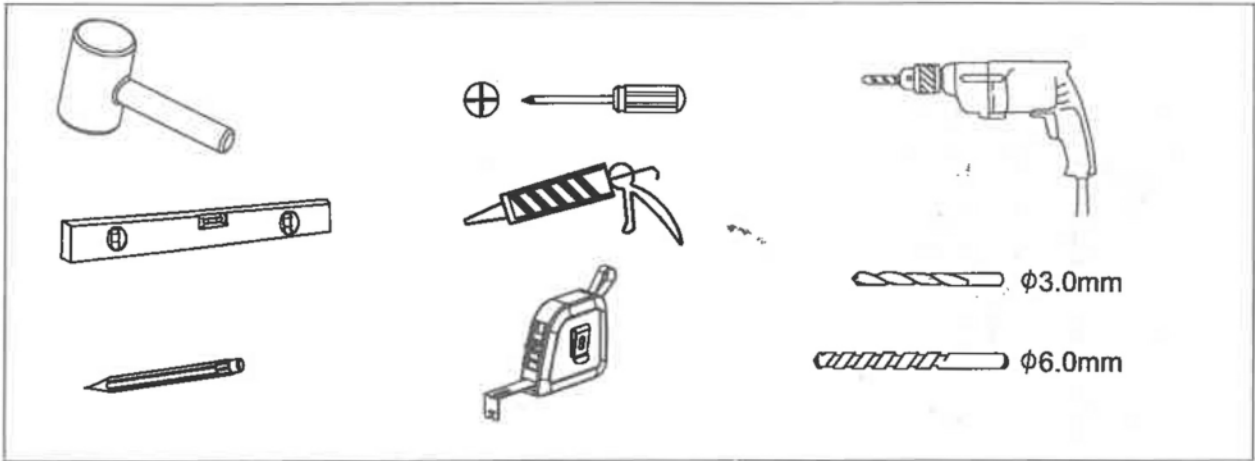


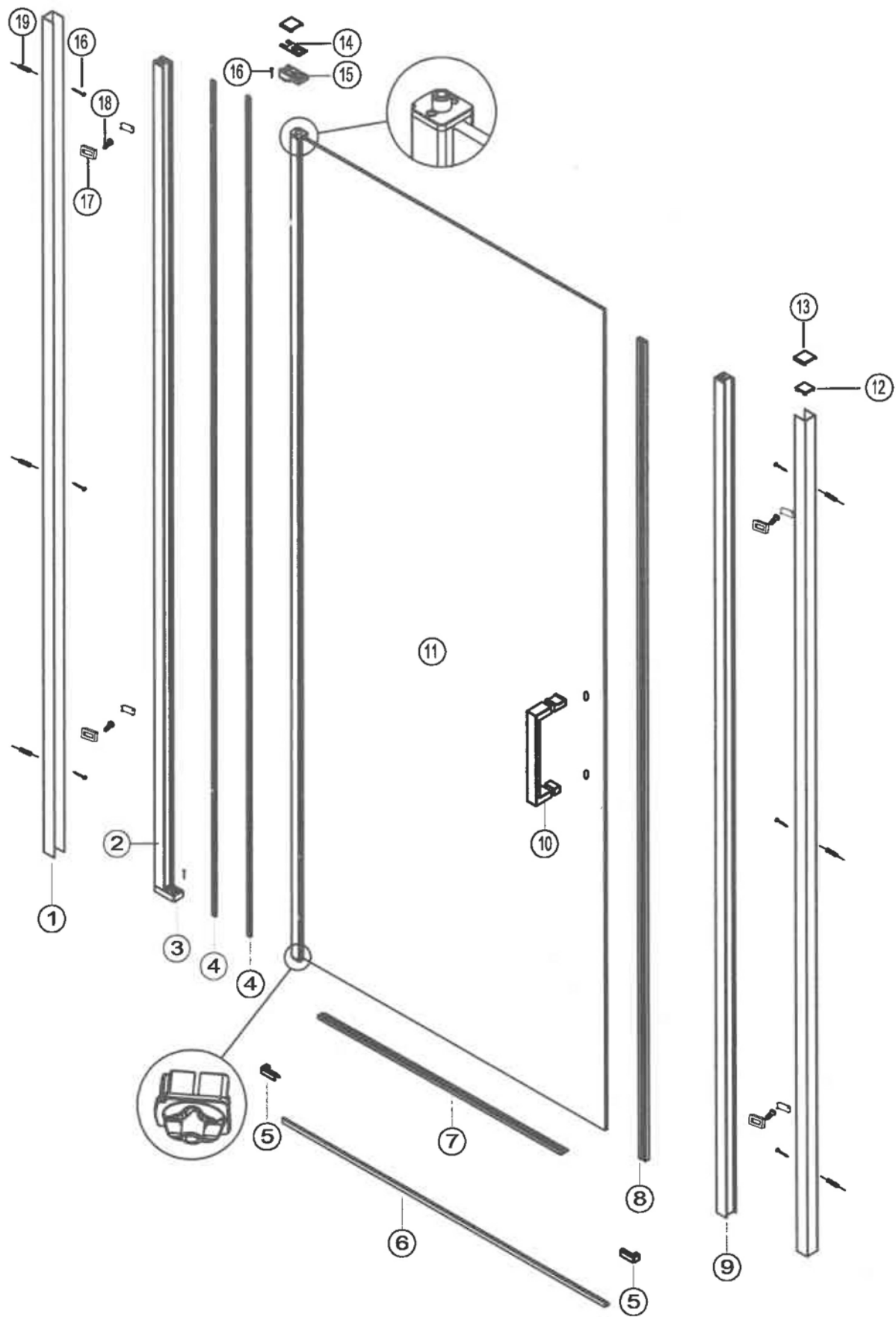
# BSW12



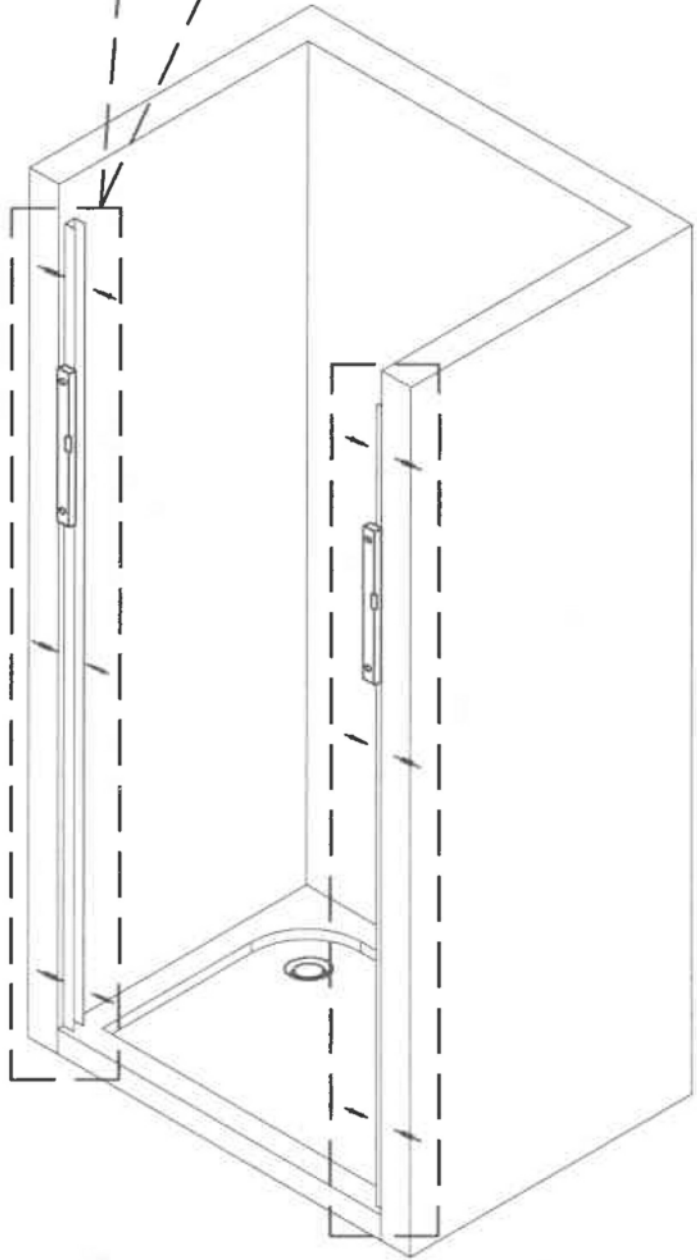
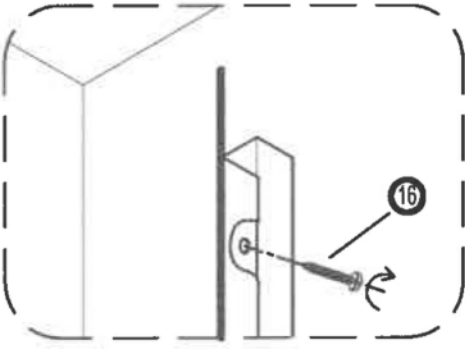
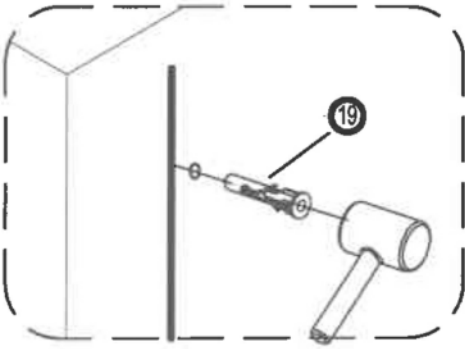
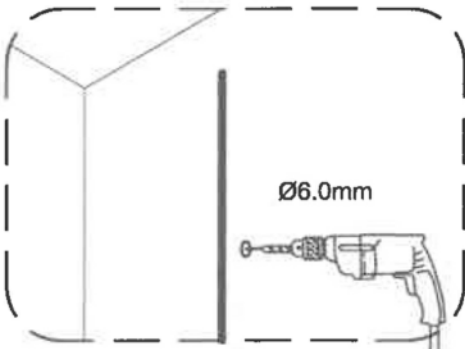
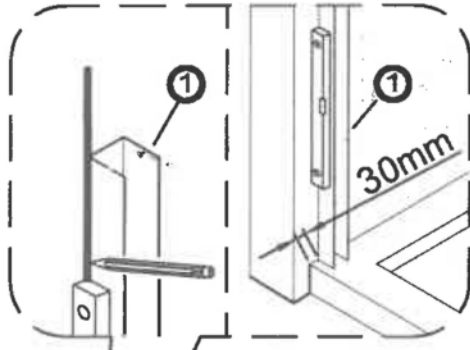
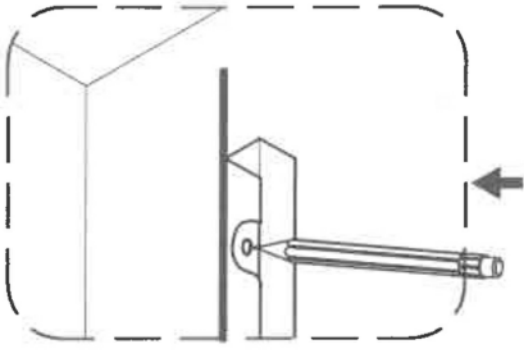
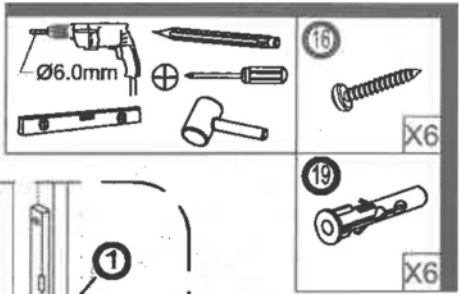




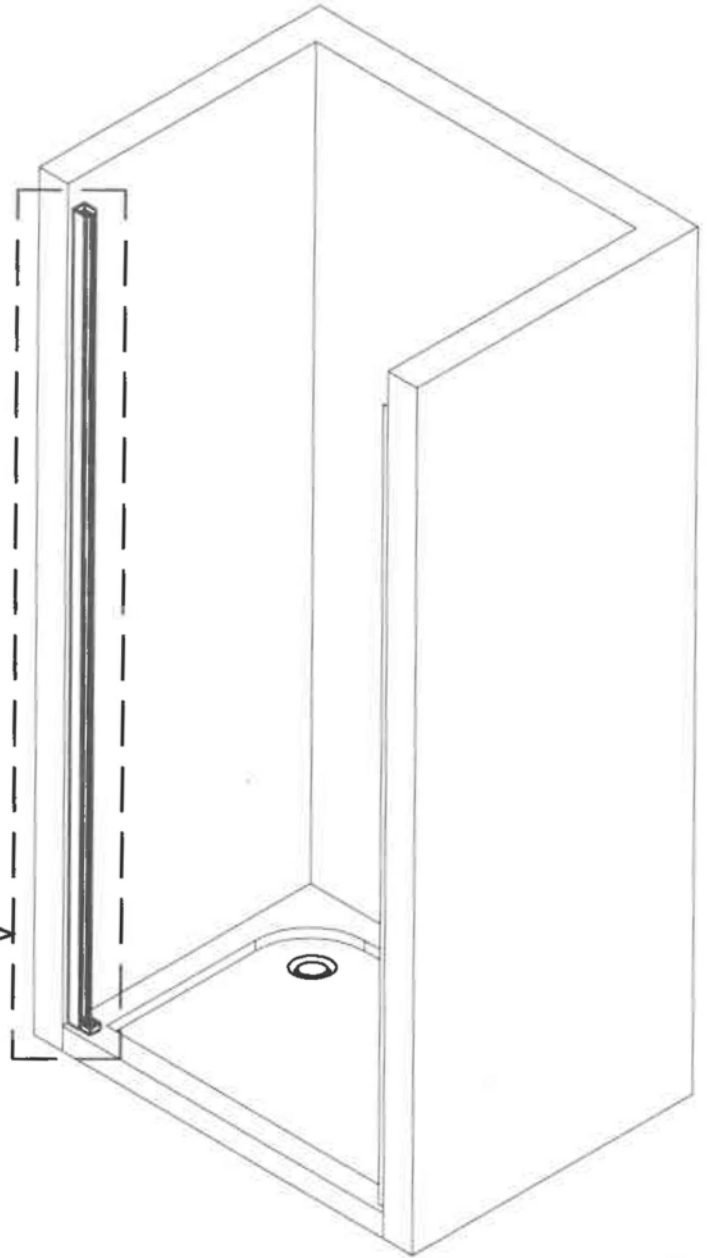
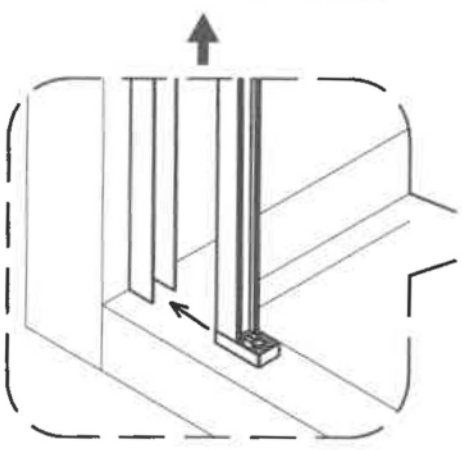
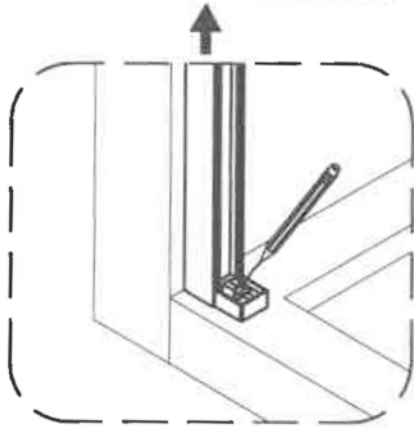
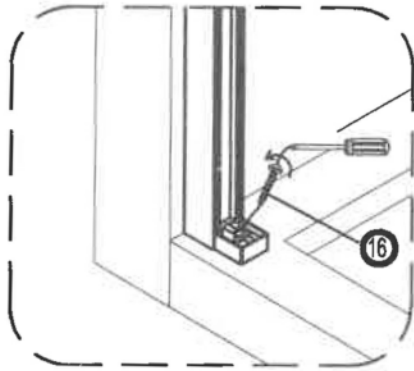
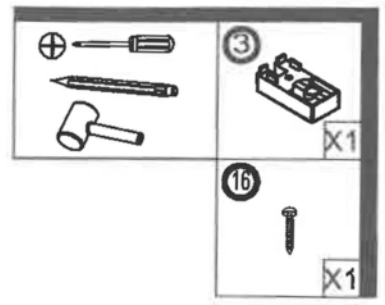
①		AL052	X 2	⑱		ST4X8	X 4
②		AL061	X 1	⑲		PL041	X 6
③		HD030	X 1				
④		JT015	X 2				
⑤		PL075L/R	X 2				
⑥		AL016	X 1				
⑦		JT005-01	X 1				
⑧		JT014	X 1				
⑨		AL054	X 1				
⑩		HD035	X 1				
⑪		A	X 1				
⑫		PL065	X 1				
⑬		PL066	X 2				
⑭		PL062	X 1				
⑮		HD031	X 1				
⑯		ST4X30	X 8				
⑰		PL063	X 4				



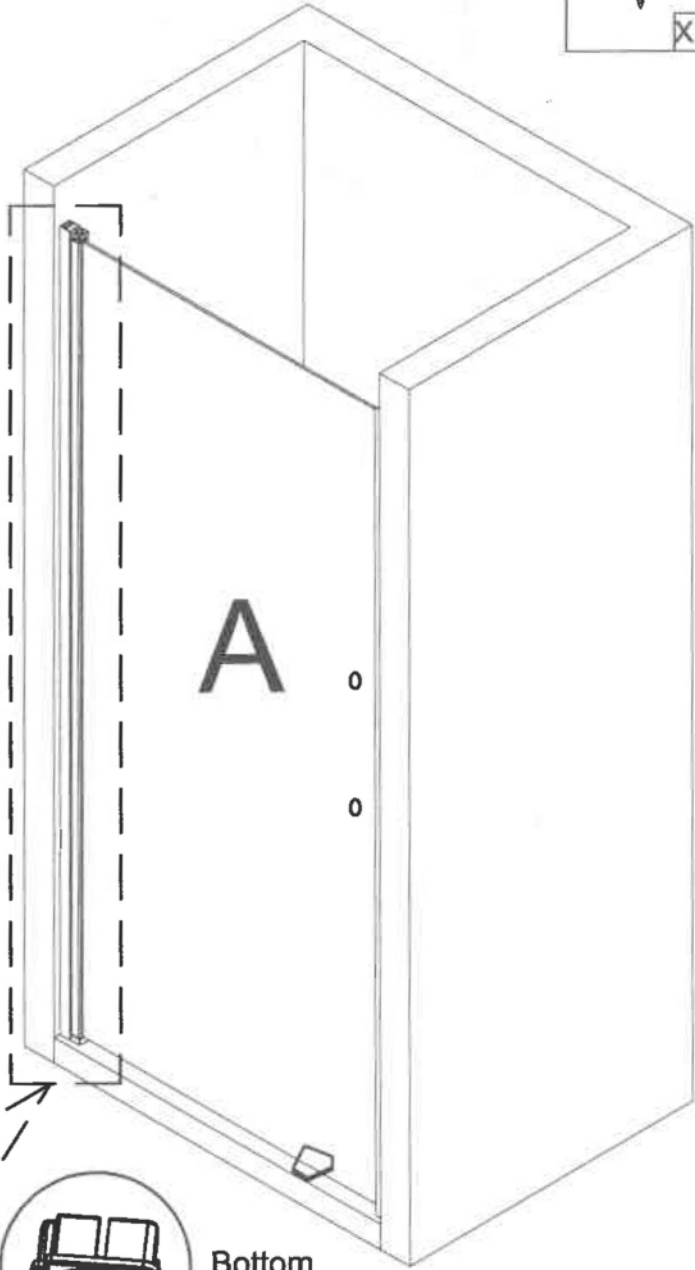
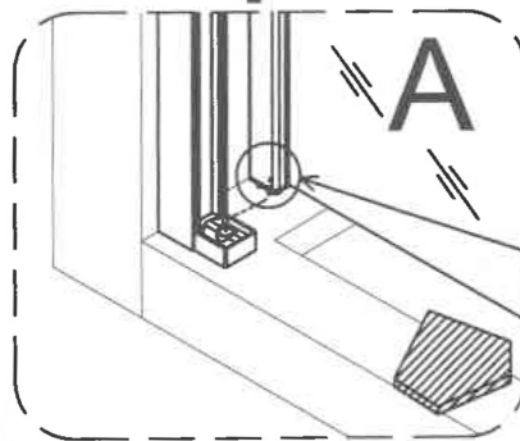
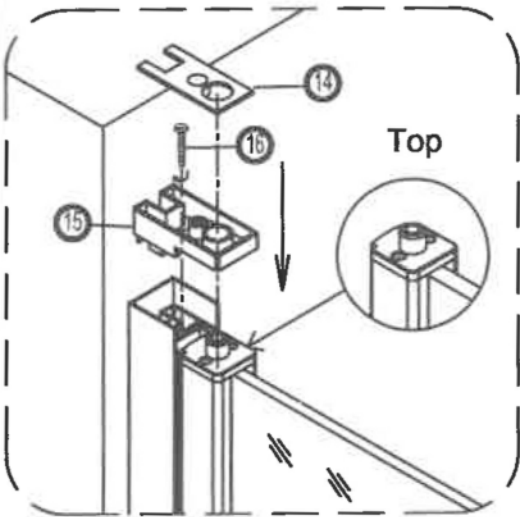
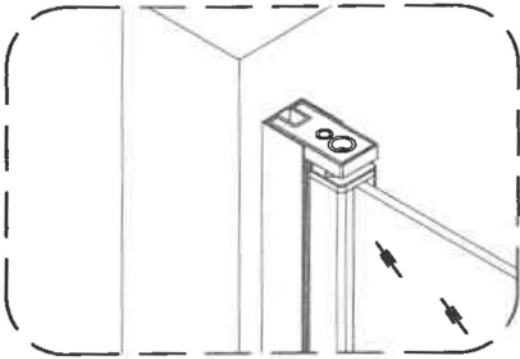
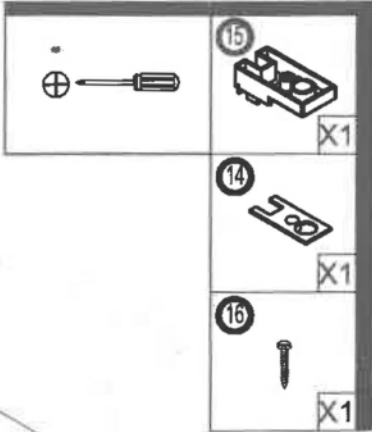
1



2



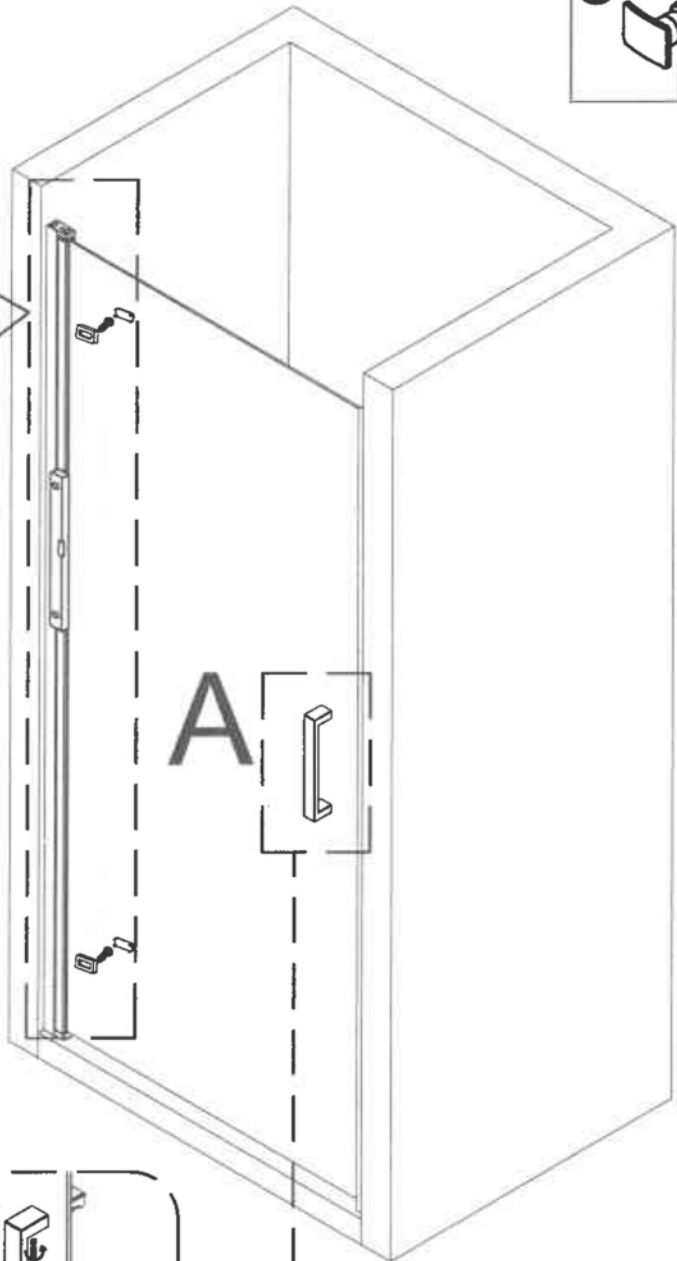
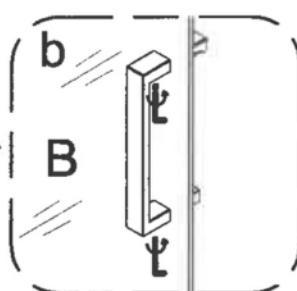
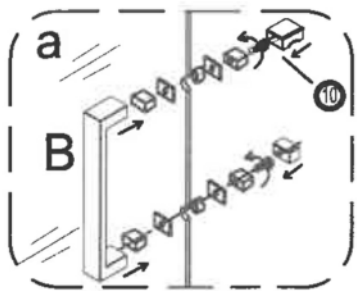
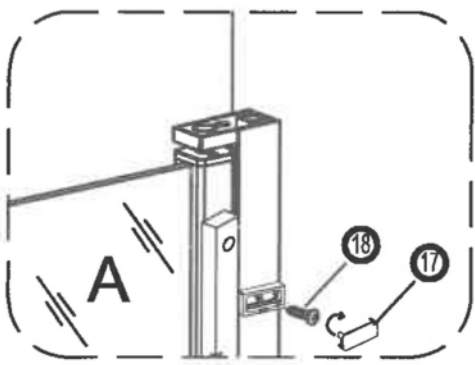
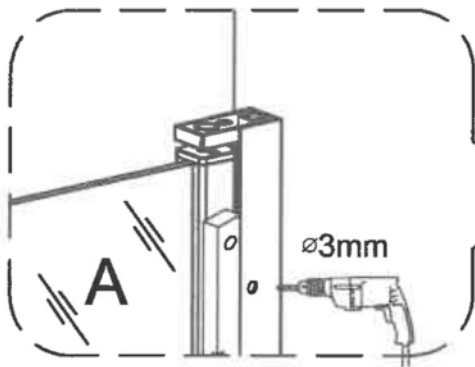
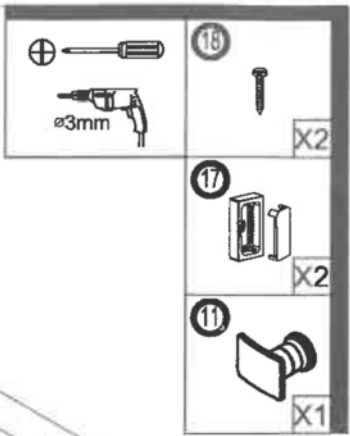
3



Bottom

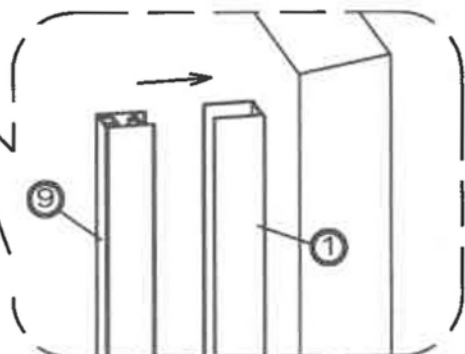
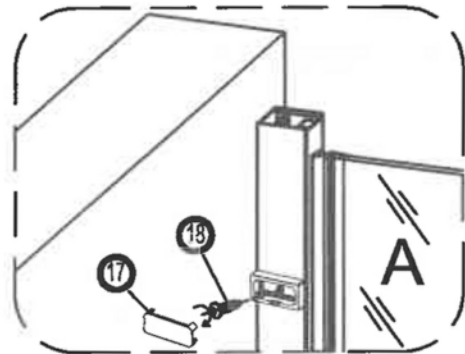
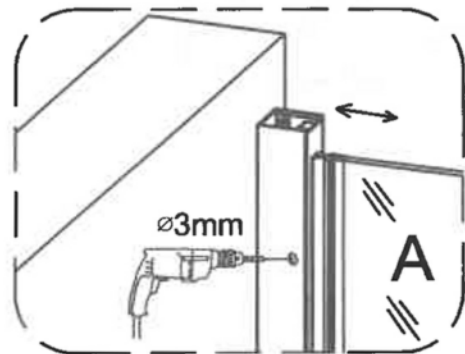
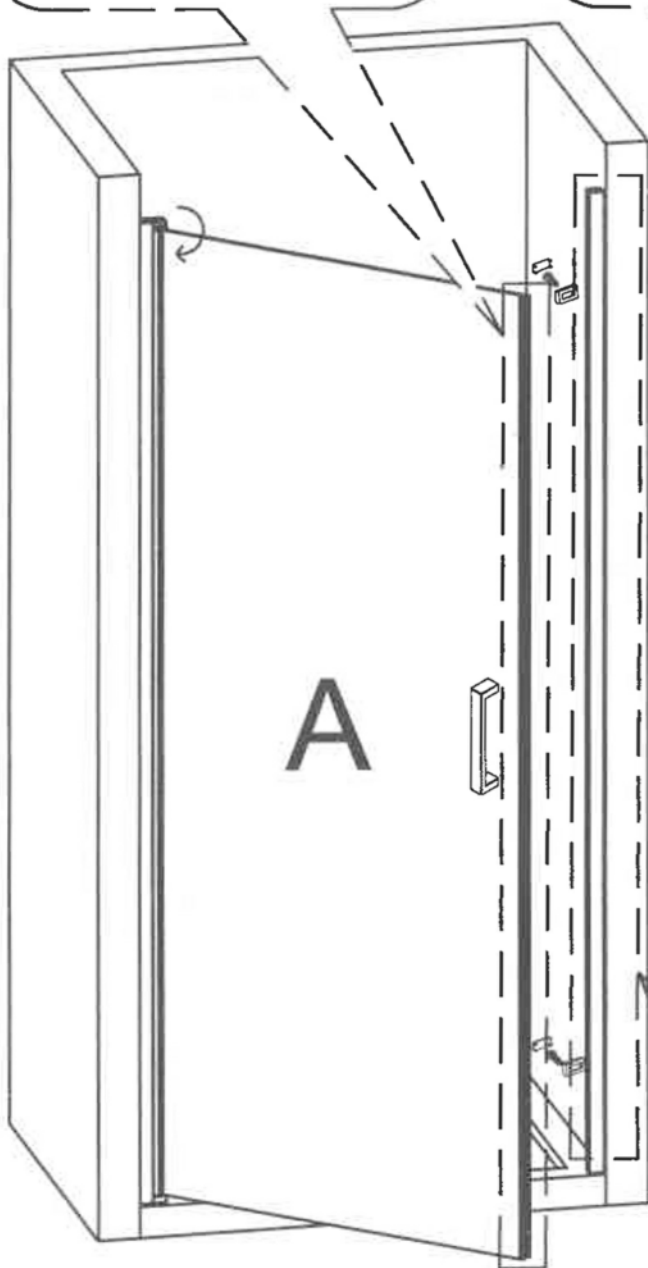
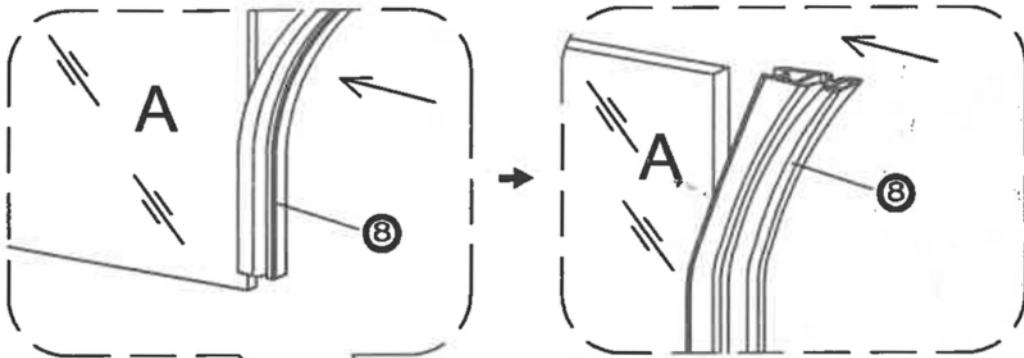
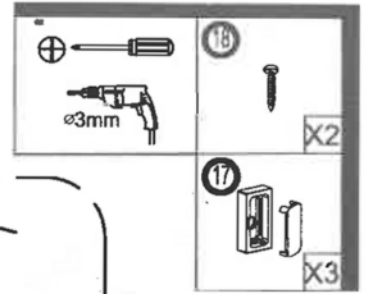
If the door install in the other side, the top and bottom need to exchange

4

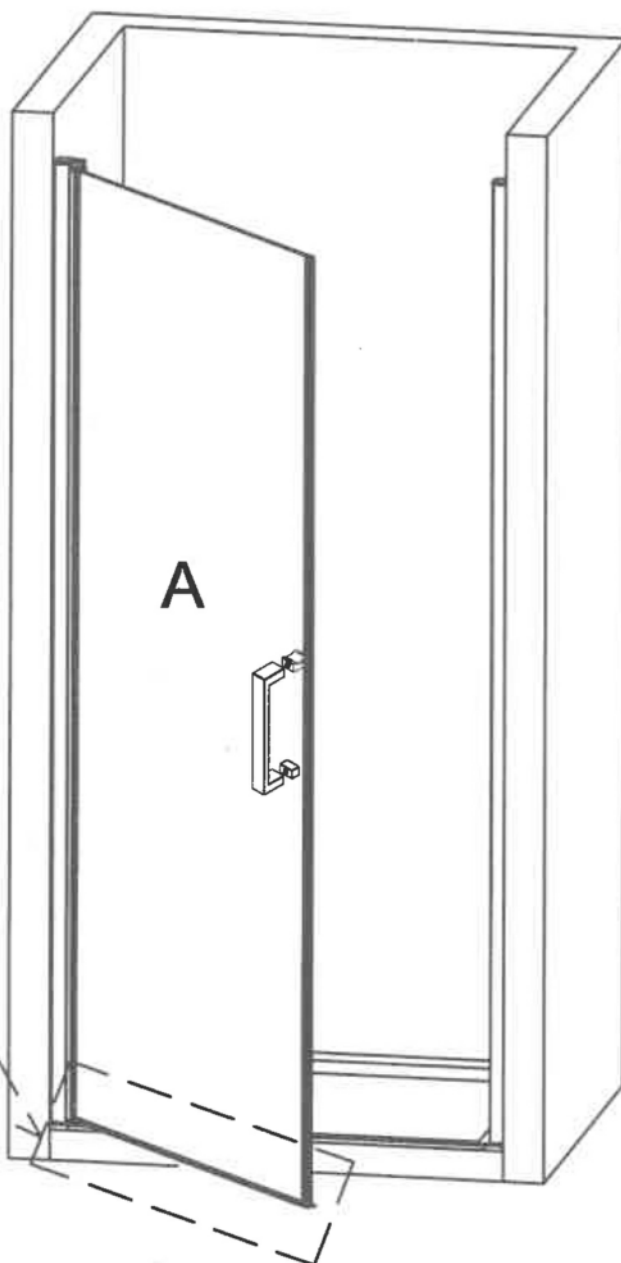
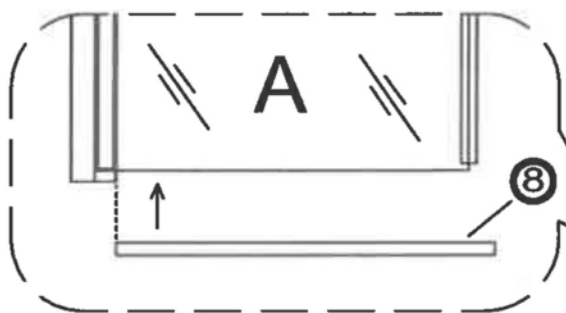
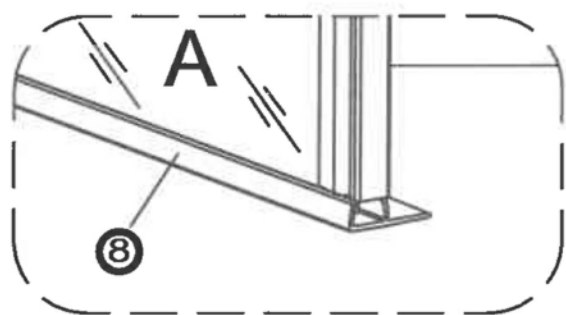




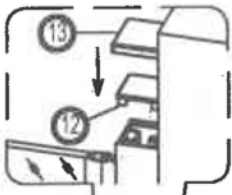
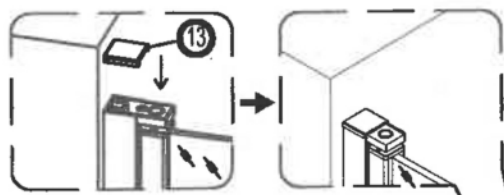
5



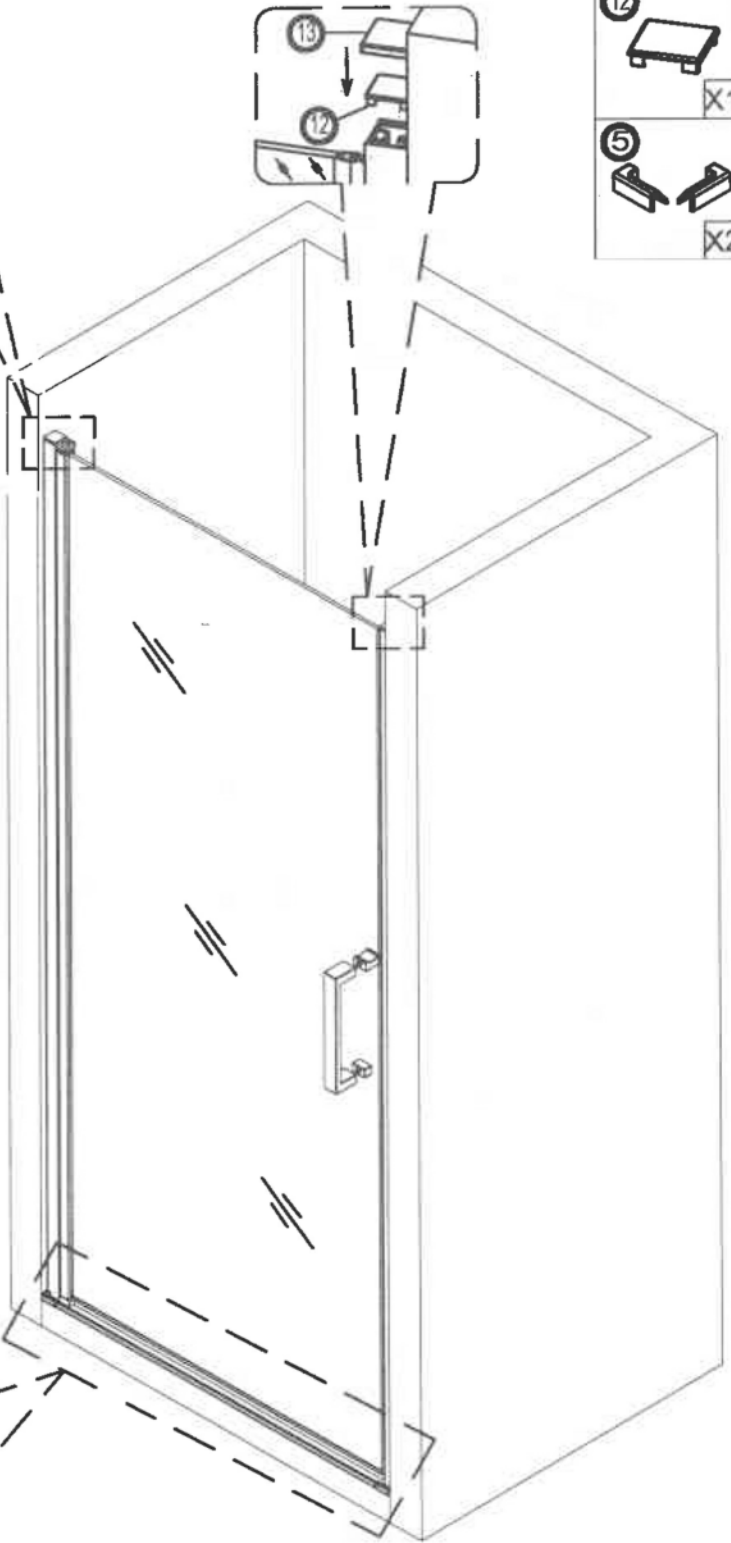
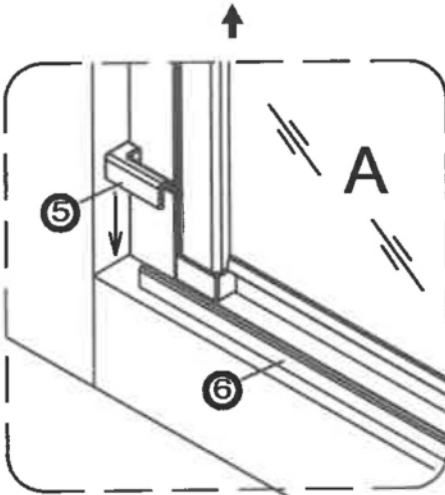
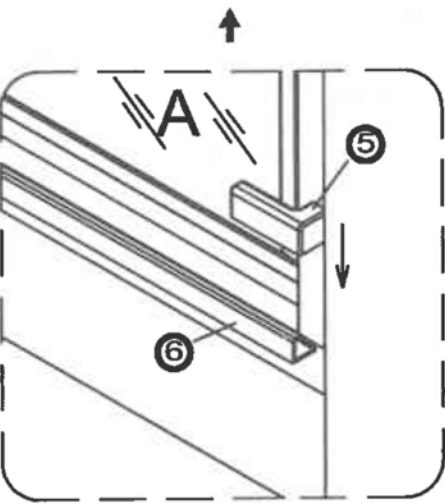
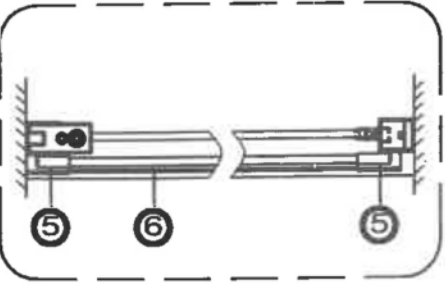
6



7



- 13 X2
- 12 X1
- 5 X2



8

